

# Sediment Filtration



## For All Size Systems

Rusco's complete line of SpinDown™ Sediment and Sediment Trapper Model Filters make solid particle removal simple and economical.

- Centrifuge Spin-Down type sediment separation
- Clear cover easily removed for total cleaning (no tools required\*)
- Sediment is visible through cover
- Reusable polyester and stainless steel screens are available in various mesh sizes
- Flow capacity for entire system
- All molded non-corrosive materials

- Available in 4 sizes:  
3/4" FPT, 1", 1-1/2" and 2" slip x slip connections in and out (optional bushings are available for 1", 1-1/2" and 2" FPT connections)

\* Using tools voids warranty.

Patent Pending

Made in America

 **RUSCO** inc.

**THE**  
**water**  
SHOP

# SPIN-DOWN™ Sediment Filters

- Clear cover is easily removed for total cleaning (No tools required\*)
- Flow capacity for entire system
- Sediment is visible through the clear cover indicating when the filter needs cleaning
- Sediment is quickly and easily removed by opening the optional ball valve at the bottom of the filter cover
- Reusable polyester and stainless steel filter screens in many mesh sizes
- No down time
- Made in USA

## Filter Elements

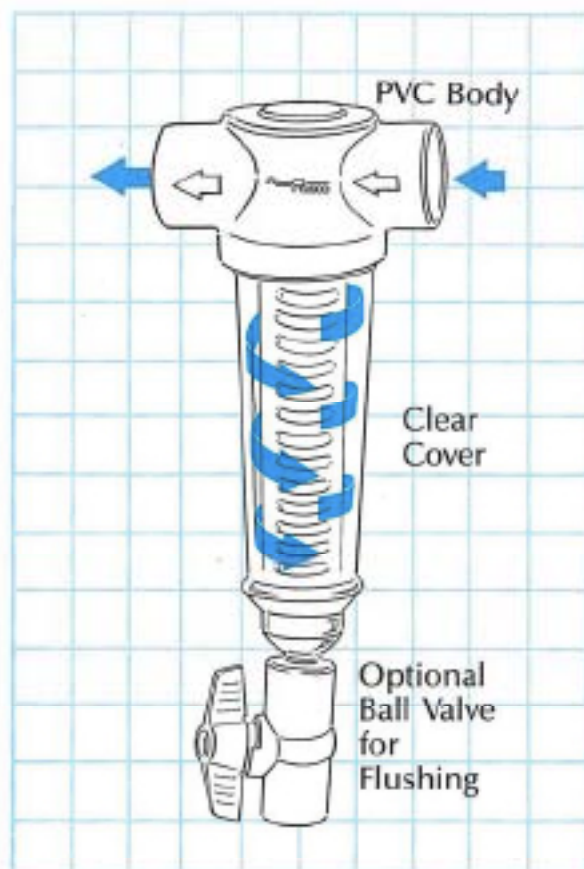
Polyester and stainless steel screens are available in many mesh sizes to meet your requirements.

## Covers

Rusco Sediment Filter covers are made of high impact polymer resin for maximum strength and durability. 1/2" MPT nipple on bottom of cover for connection of an optional plastic ball valve for easy cleaning.

## Body

Rusco SPIN-DOWN Sediment Filter bodies are PVC material in 3/4" FPT, 1", 1-1/2" and 2" slip x slip connections in and out. Bushings are available to convert 1", 1-1/2" and 2" slip x slip connections to female pipe thread.



## Filter Dimensions

Size	3/4" & 1"	1-1/2"	2"
Length	8-3/8"	12"	15"
Width	5"	5-1/2"	6"

## Screen Sizes • Polyester

Mesh	Microns	Opening
24	711	.028"
30	533	.021"
40	381	.015"
60	254	.010"
100	152	.006"
140	104	.004"
250	61	.0024"
500	30	.0012"
1000	15	.0006"

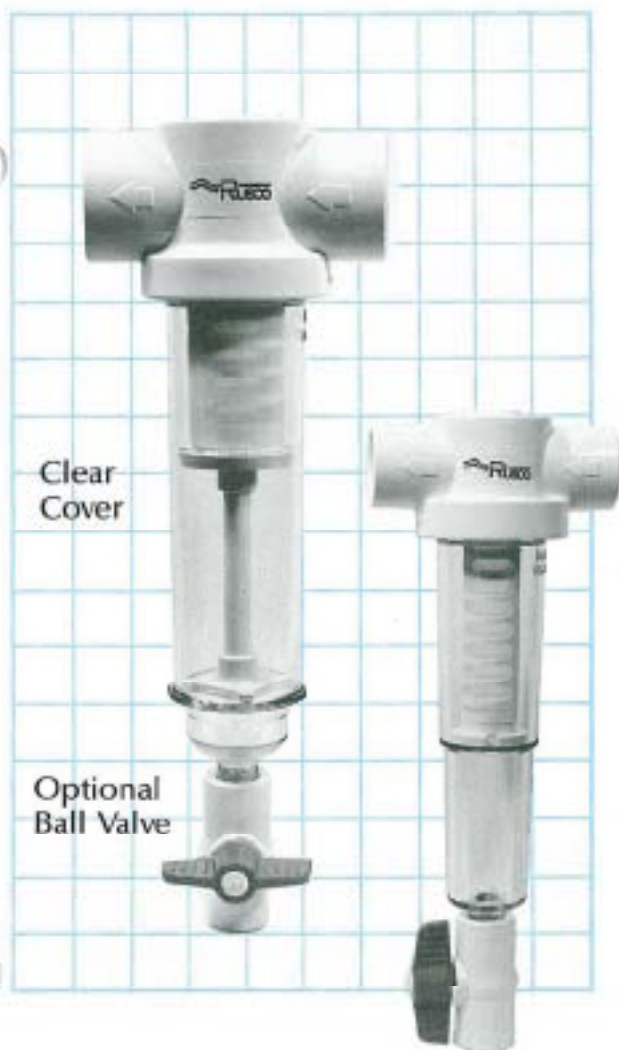
- Also available in Stainless Steel

\* Using tools voids warranty





# SPIN-DOWN™ Sediment Trapper Filters



- Unique element design traps sediment in lower reservoir of clear cover
- Clear bowl easily removed for total cleaning (No tools required\*)
- Flow capacity for entire system
- Sediment is visible through the clear cover indicating when the filter needs cleaning
- No down time
- Optional ball valve allows for quick sediment removal from bottom of cover
- Centrifuge Spin-Down type sediment separation
- Reusable polyester and stainless steel filter screen available in many mesh sizes from very fine to very coarse

## Filter Dimensions

Size	3/4" & 1"	1-1/2"	2"
Length	11-1/2"	12"	15"
Width	5"	5-1/2"	6"

## Filter Element

The unique design of the sediment trapper element allows debris to settle in the bottom of the clear cover, trapping sediment away from the screen. The new 1-1/2" and 2" model elements make it easy to convert a standard spin-down filter to a Sediment Trapper by simply replacing the element screens which are available in either polyester or stainless steel to suit your needs and can be ordered in various mesh sizes.

## Screen Sizes • Polyester

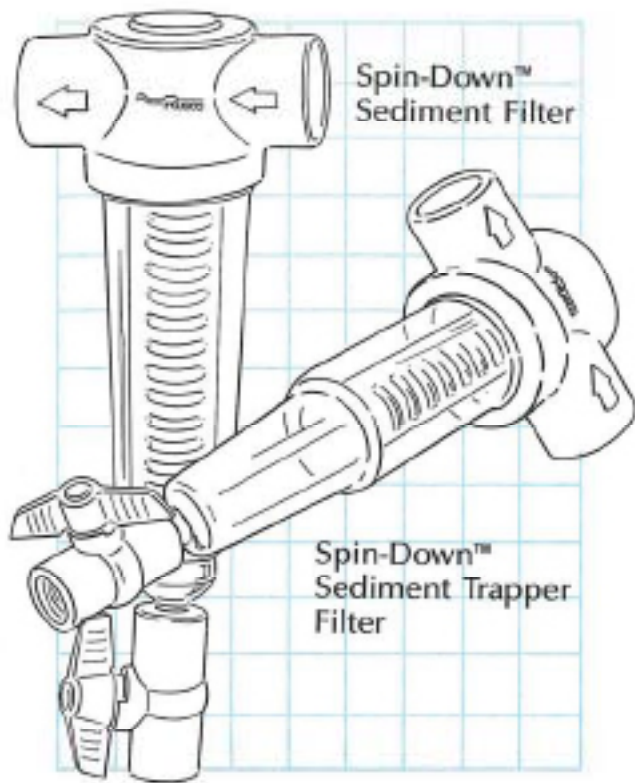
Mesh	Microns	Opening
24	711	.028"
30	533	.021"
40	381	.015"
60	254	.010"
100	152	.006"
140	104	.004"
250	61	.0024"
500	30	.0012"
1000	15	.0006"

- Also available in Stainless Steel

\* Using tools voids warranty



PO Box 281 Cammeray 2062  
 Phone: (02) 9956 5677 Fax: (02) 9956 5895  
 Email: [filters@watershop.com.au](mailto:filters@watershop.com.au)  
 Web: [www.watershop.com.au](http://www.watershop.com.au)



# Ordering Information

Spin-Down model filters are ordered by size #, mesh size and, when ordering stainless steel, denote with SS. For an optional flush valve add an F.

Example:

3/4-100 SSF is a 3/4" Filter with a 100 mesh stainless steel screen and an optional flush valve.

When ordering a Sediment Trapper Model filter use size #, mesh size, ST designation, and if stainless steel screen is desired, add SS. For the optional flush valve, add an F.

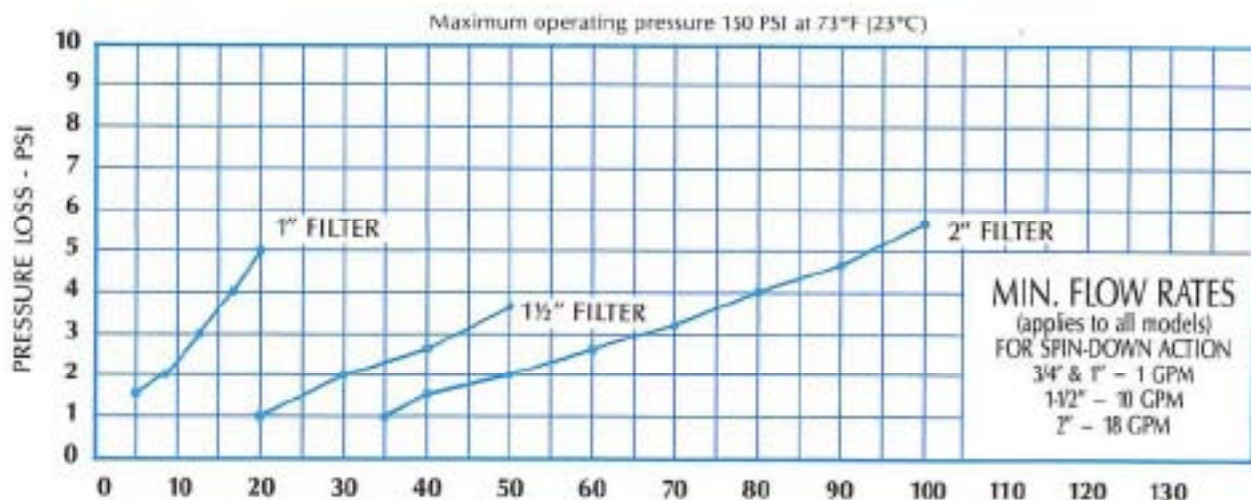
Example:

1-100 STSS is a 1" Filter Sediment Trapper with a 100 mesh stainless steel screen.



## Case Quantities:

All Models - 10 per Case



## FLOW RATE – GPM FOR ALL MODELS

### WARRANTY & DISCLAIMER

RUSCO, Inc. warrants, to the original purchaser, that its products will be free from original defects in material and workmanship. RUSCO, Inc. will repair or replace all parts without charge, found to be defective under normal use and service within the warranty period upon return of product at customer's expense.

The components of all RUSCO products are warranted for a period of 12 months from date of original sale. RUSCO's liability is solely limited to the original cost of the part. RUSCO will not be responsible for incidental or consequential damages. No agent or representative has the authority to waive or alter this printed warranty. THIS WARRANTY IS EXCLUSIVE AND IS IN LIEU OF ALL OTHER WARRANTIES EXPRESSED OR IMPLIED, INCLUDING WARRANTIES OF MERCHANTABILITY AND WARRANTIES OF FITNESS FOR A PARTICULAR PURPOSE.

RUSCO reserves the right to redesign or modify its product without incurring further liability. Prices are subject to change at any time without notice.

USE OF TOOLS WILL VOID WARRANTY—HAND TIGHTEN ONLY.