

**NEW**

# Whole House Filter

The original ceramic drinking water filter



## Rio 2000 Multi Candle Filter Module

Doulton®, the brand synonymous with top quality drinking water filters for 175 years, is able to offer a new, compact, high-flow filtration solution for the home.

Doulton's unique 6 element filter module fits most industry standard 10 inch "Big Blue" type housings. This gives you the option of upgrading installed filter housings with a Doulton® ceramic filter module, or supplying a complete Doulton® housing and module package.



- 💧 Filters you can trust - Ceramic filter elements manufactured in the UK under ISO conditions to meet NSF requirements.
- 💧 Upgrade - filter module fits most industry standard 10 inch "Big Blue" type filter housings.
- 💧 High flow - Filter module offers a superior flow rate of up to 520 gallons (2000 litres) per hour at 3 bar pressure.
- 💧 Excellent water flow even in low water pressure areas.
- 💧 Ceramic filters remove:
  - 💧 Pathogenic bacteria (E-coli, Cholera, Typhoid, Salmonella, etc.).
  - 💧 Cysts (Cryptosporidium, Giardia, etc.).
  - 💧 Sub micron particle contamination.
- 💧 An added value alternative to UV water treatment systems.



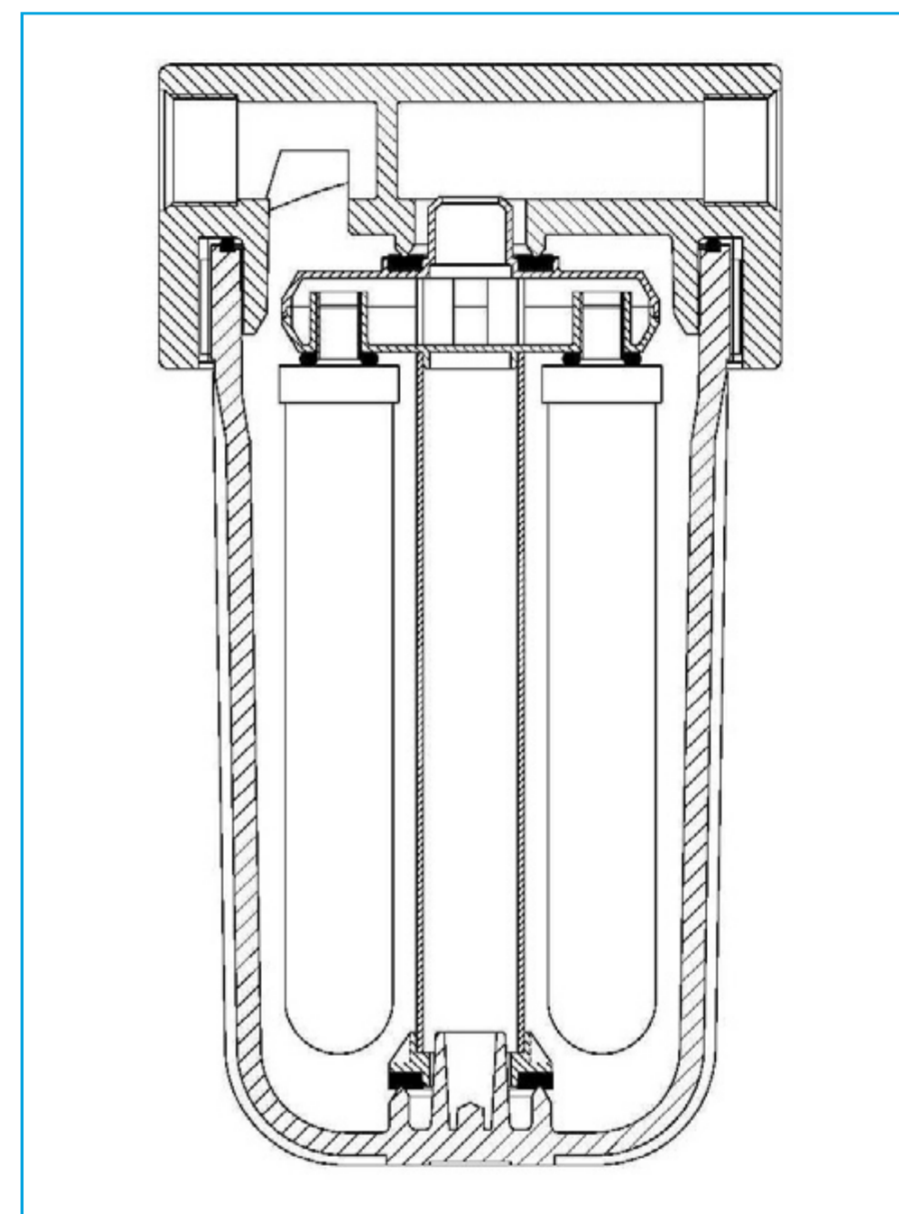
[www.faireyceramics.com](http://www.faireyceramics.com)



**Completely Removes Parasites / Bacteria**



## Technical Specifications



Model	Rio 2000 Multi-Candle Filter Module
Typical output *	Up to 520 US Gallons (2000 litres) per hour
Filtration Rating (Absolute) Defined as >99.99%	0.9 microns
Filtration Rating (Nominal) Defined as >99.9%	0.5 to 0.8 microns

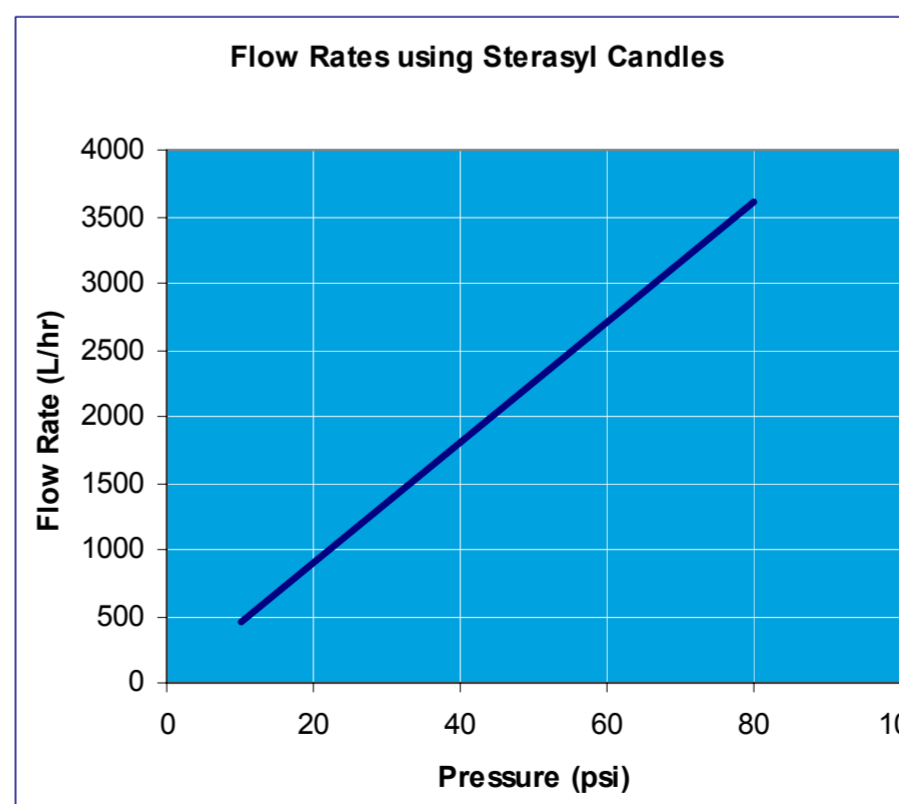
\* Measured at 3 Bar. Output will alter dependant on water pressure

### Replacement Candles

- 💧 The Rio 2000 Multi Candle Filter Module requires 6 x Sterasyl™ Candles, Ø32mm (1.2") x 200mm (8") long.
- 💧 The module is designed to fit most industry standard 10" housings.

### Product Performance

% Bacteria Removal	E. Coli	>99.99%
	Vibrio Cholerae (Cholera)	>99.99%
	Shigella	>99.999%
	Salmonella Typhi (Typhoid)	>99.999%
	Klebsiella Terrigena	>99.999%
% Cyst Removal	Cryptosporidium	>99.999%
	Giardia	>99.999%



The Water Shop - North Coast  
 P O Box 295 Byron Bay NSW 2481  
 Tel: 61 2 6680 8200  
 Fax: 61 2 6680 8211  
 Email: alan.f@ozemail.com.au

Patent Pending  
 Not available in California, Iowa, Massachusetts or Wisconsin

[www.faireyceramics.com](http://www.faireyceramics.com)

